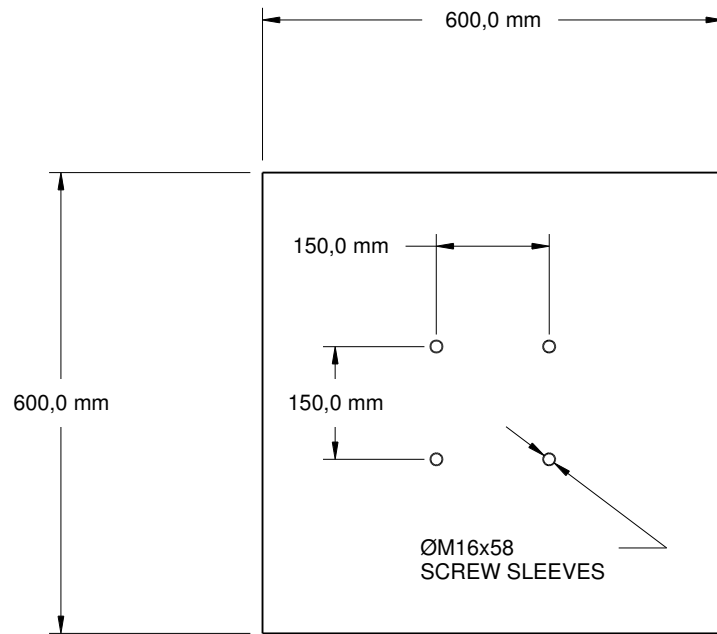
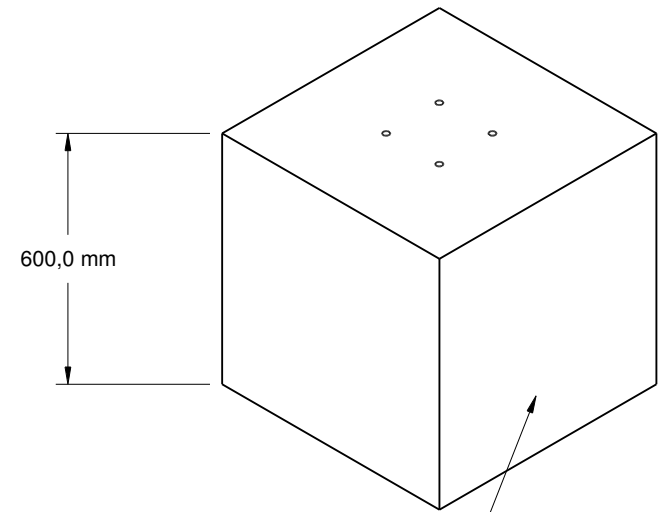


FOOTING FOR USE IN ASPHALT. NOT REQUIRED IN CONCRETE.



TOP



25 MPA CONCRETE
REBAR CAGE 8/8/150/150



CONFIDENTIAL & PROPRIETARY

The drawing on this print and the information therewith are property of SlowStop Guarding Systems, LLC, and shall not be used or discussed in whole or in part without the consent of SlowStop Guarding Systems, LLC.

4955 STOUT DR. · SAN ANTONIO, TX 78219 · (800) 736-5256

SIZE
A

PART NO.

DWG.

SLOWSTOP TYPE 1 FOOTING

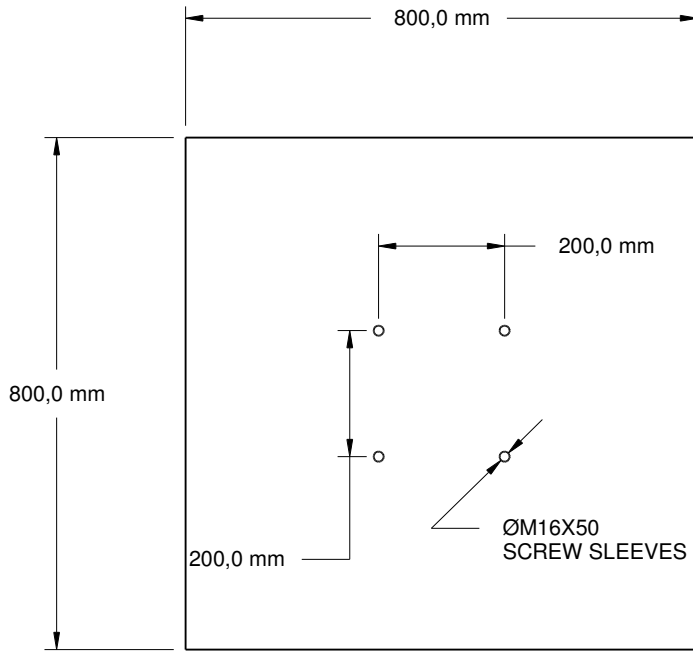
REV
1

SCALE

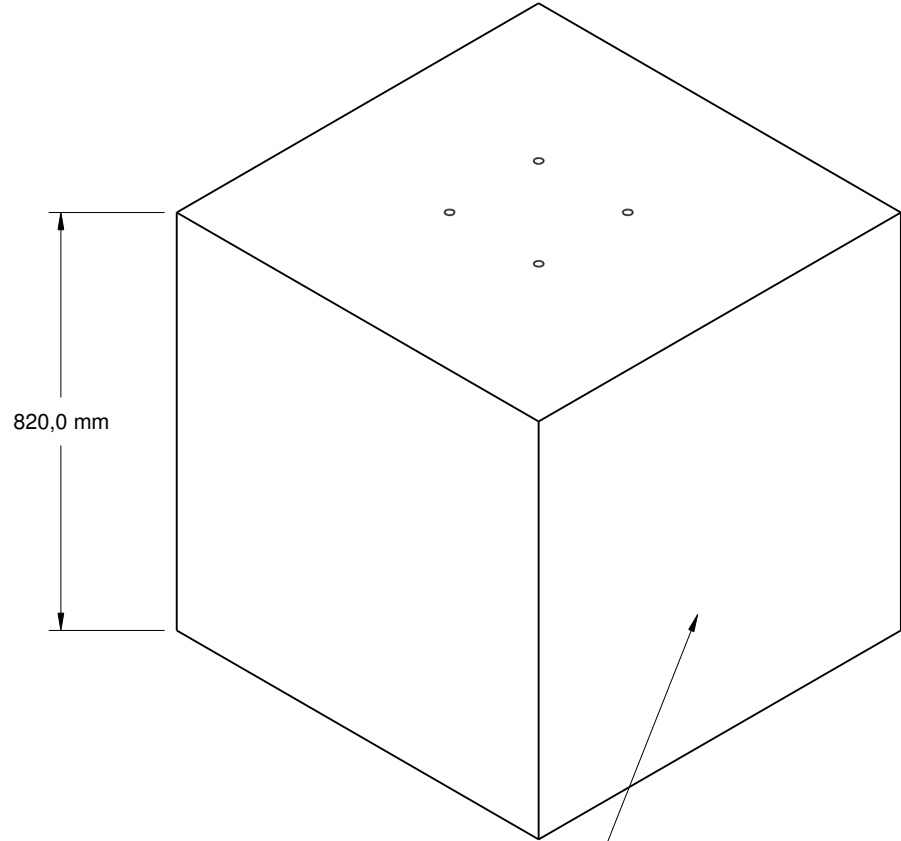
SLOWSTOP GUARDING SYSTEMS, LLC

DATE 31-AUG-2017

FOOTING FOR USE IN ASPHALT. NOT REQUIRED IN CONCRETE.



TOP



CONFIDENTIAL & PROPRIETARY

The drawing on this print and the information therewith are property of SlowStop Guarding Systems, LLC, and shall not be used or discussed in whole or in part without the consent of SlowStop Guarding Systems, LLC.

4955 STOUT DR. · SAN ANTONIO, TX 78219 · (800) 736-5256

SIZE
A

PART NO.

DWG.

SLOWSTOP TYPE 2 FOOTING

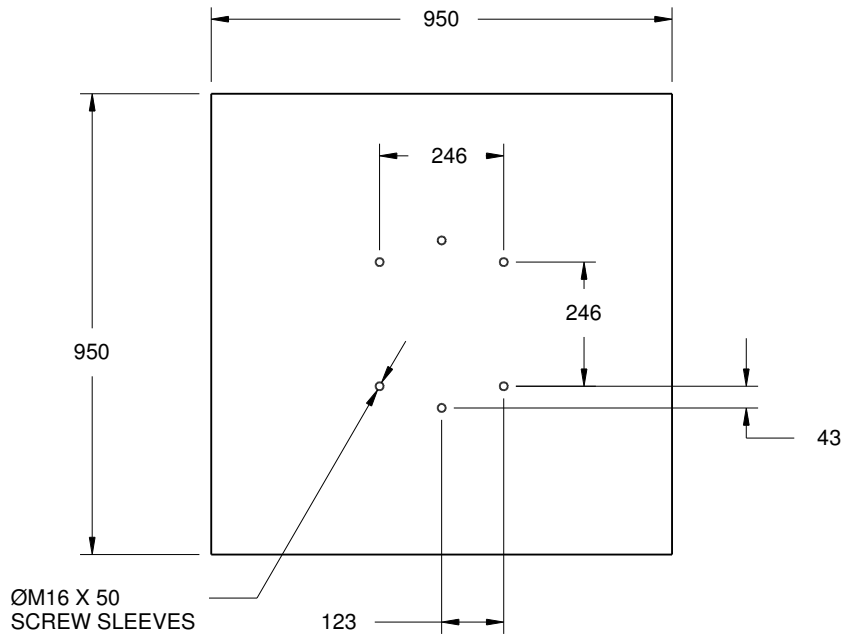
REV
1

SCALE

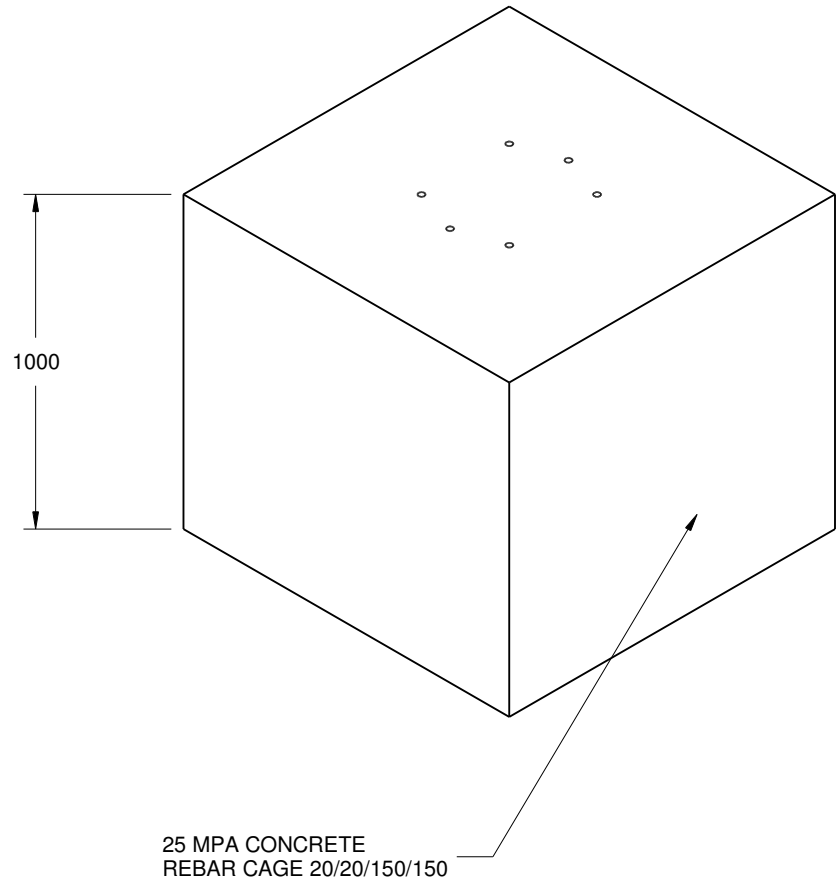
SLOWSTOP GUARDING SYSTEMS, LLC

DATE 31-AUG-2017

FOOTING FOR USE IN ASPHALT. NOT REQUIRED IN CONCRETE.



TOP



CONFIDENTIAL & PROPRIETARY

The drawing on this print and the information therewith are property of SlowStop Guarding Systems, LLC, and shall not be used or discussed in whole or in part without the consent of SlowStop Guarding Systems, LLC.

4955 STOUT DR. · SAN ANTONIO, TX 78219 · (800) 736-5256

SIZE
A

PART NO.

DWG.

SLOWSTOP TYPE 2.5 FOOTING

REV
1

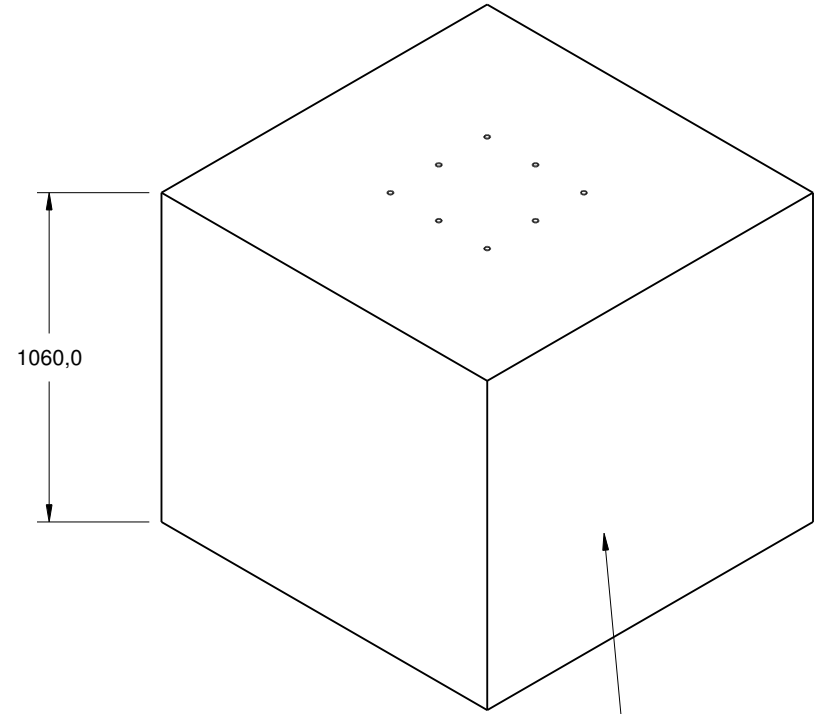
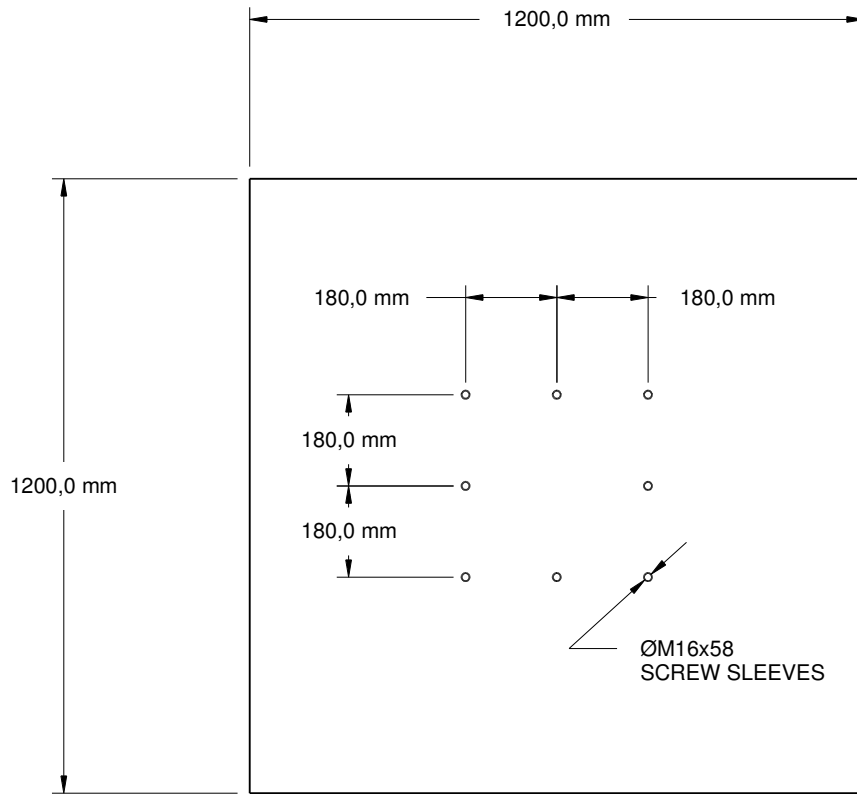
SCALE

SLOWSTOP GUARDING SYSTEMS, LLC

DATE

31-AUG-2017

FOOTING FOR USE IN ASPHALT. NOT REQUIRED IN CONCRETE.



25 MPA CONCRETE
REBAR CAGE 20/20/150/150



CONFIDENTIAL & PROPRIETARY

The drawing on this print and the information therewith are property of SlowStop Guarding Systems, LLC, and shall not be used or discussed in whole or in part without the consent of SlowStop Guarding Systems, LLC.

4955 STOUT DR. · SAN ANTONIO, TX 78219 · (800) 736-5256

SIZE A	PART NO.	DWG. SLOWSTOP TYPE 3 FOOTING	REV 1
SCALE	SLOWSTOP GUARDING SYSTEMS, LLC	DATE 31-AUG-2017	