



SLOWSTOP® BOLLARDS

ASPHALT KIT INSTALLATION INSTRUCTIONS

www.slowstop.com/resources/installation



Notes

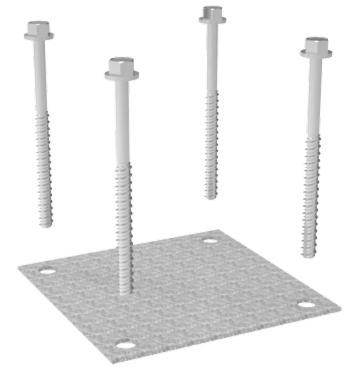
1. Concrete footings are the recommended method for installing SlowStop on Asphalt. However, in some situations the full stopping power of SlowStop is not required and in those cases, SlowStop may be installed directly on Asphalt.
2. Stopping power will be highly dependent on the strength and quality of the asphalt, but less than when installed on concrete.
3. Study Figure 1 to understand the arrangement of all parts.
4. Read the Detailed SlowStop Bollard Installation Instructions.

Installation and Assembly

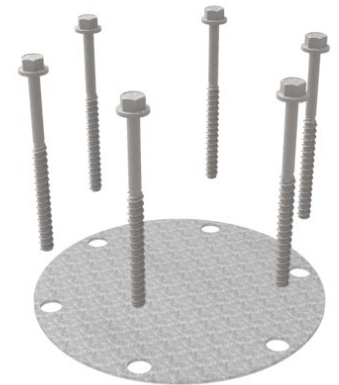
1. Drill and clean 5/8" anchor holes as normal, but 8" deep. Place the galvanized plate under the elastomer prior to anchoring the adapter and base.
2. Use the provided 5/8" x 8" anchors to mount the base. It's recommended to fill the hole 1/4 full with a two part epoxy prior to setting the anchors.
3. Complete the installation as directed in Detailed SlowStop Bollard Installation Instructions.



Figure 1—Asphalt Install Kit shown on 4" Model



IM-SS4-ASPHALT



IM-SS5-ASPHALT