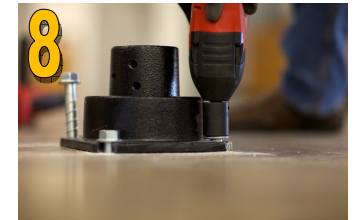
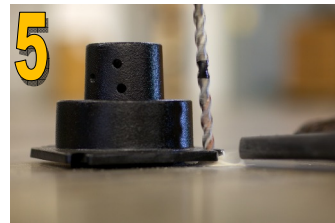
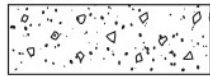
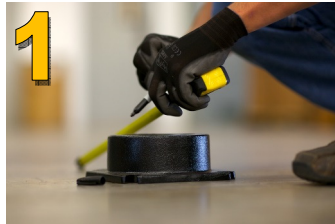




SLOWSTOP® BOLLARDS

BASIC INSTALLATION INSTRUCTIONS

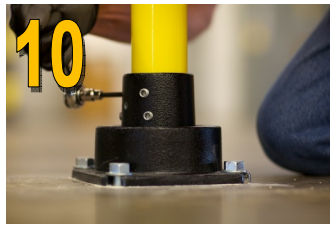
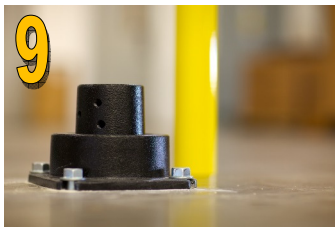
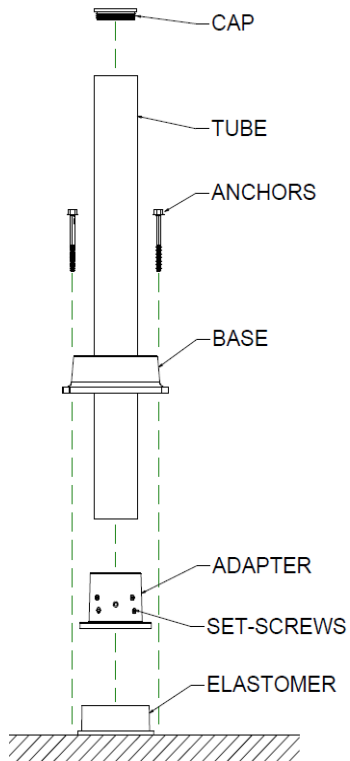
www.slowstop.com/resources/installation



- 5/8" 16mm
- 14mm 18mm

- 4 8
- 6

- 5/8" 95 ft-lb
- M14 55 n-m
- M16 90 n-m
- M18 130 n-m





SLOWSTOP® BOLLARDS

DETAILED INSTALLATION INSTRUCTIONS

www.slowstop.com/resources/installation

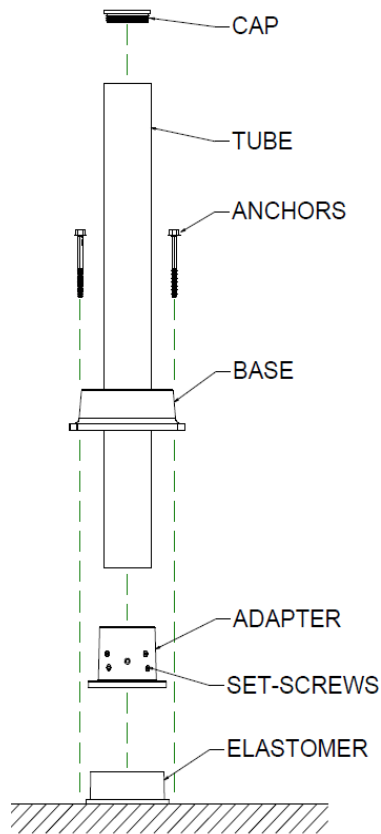


Figure 1

Materials

- 1—Base
- 1—Elastomer
- 1—Adapter with Set-Screws
- 1—Tube
- 1—Cap
- 4 to 8—Screw Anchors Depending on Model

Tools Required

- Hammer Drill
- Drill Bit sized for Anchor
- Impact Wrench
- Impact Socket
- Vacuum or Compressed Air with Nozzle
- 6mm / 8mm Allen Wrench
- Mallet

Notes

1. Assembly and installation should be performed by qualified personnel only.
2. Installation to be performed in unbroken concrete only. Anchor holes should be 5x the diameter of the anchor from any edge.
3. Bollards must be properly sized for expected loads and speeds. Consult www.slowstop.com.
4. Study Figure 1 to understand the arrangement of all parts.
5. Pipe used must be as specified by SlowStop.

Installation and Assembly

1. Layout and mark final location using the base as a guide. Remove base. *Note: Keep the bollard 0.32 x height away from any solid object to allow for tilting.*
2. Place the elastomer in the center of the location and place adapter on top of elastomer.
3. Fit base over the adapter so that it rests on the adapter flange and covers the elastomer.
4. Again using the base as a guide, drill four, six, or eight (as required) holes deep enough to completely sink the anchors. Clean out the holes from concrete dust.
5. Tighten the concrete screw Anchors in a star pattern, compressing the elastomer and making the base flush to the concrete. Anchor head must be tightened flush to base.
6. Insert the tube into the adapter and firmly tighten all set-screws to hold it in place.
7. Place the cap in the top of the tube and gently pound it in place using a mallet.
8. When complete, the assembly should appear like Figure 2.

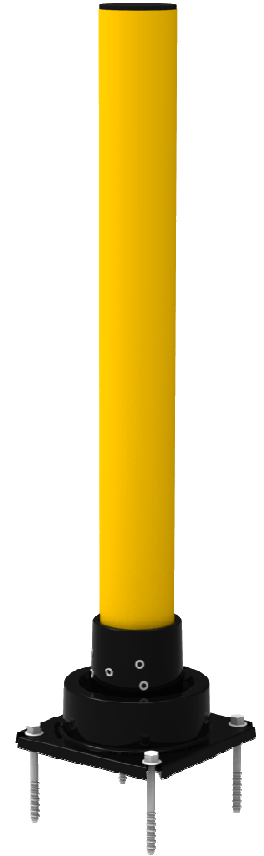


Figure 2

Tip: Do not concrete fill of the bollard. The system is designed for the pipe to be the first point of bending