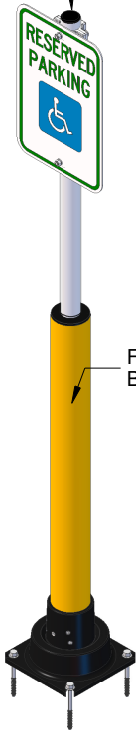
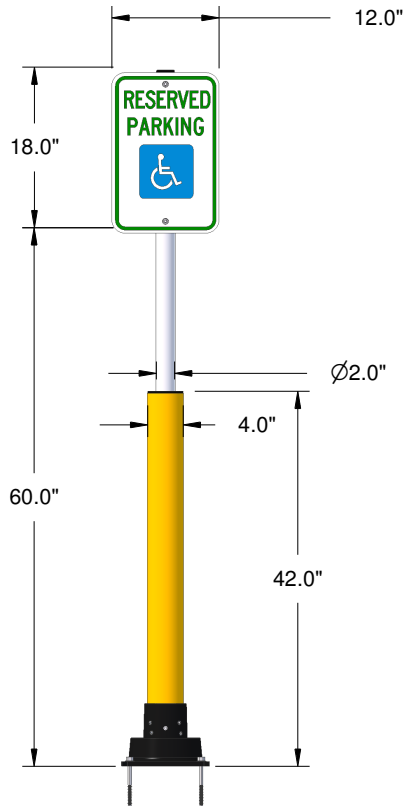
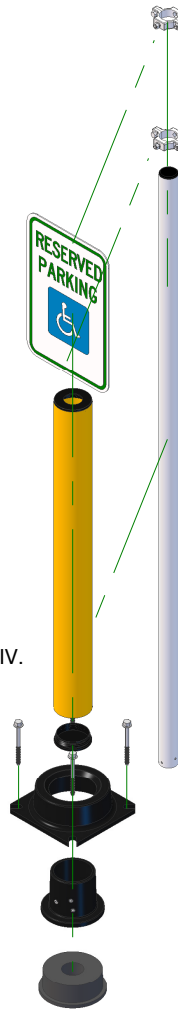


9.8"

HEIGHT ADJUSTABLE BY INSERT DEPTH. POST IS 75".



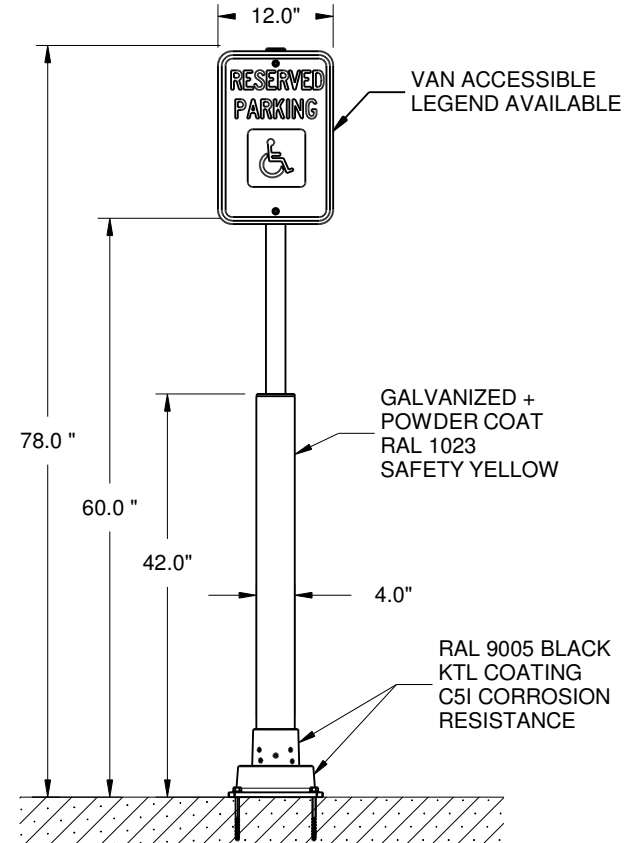
ISO



EXPLODED

FOAM FILL OR EQUIV. BY INSTALLER

STANDARD DETAIL



* MINIMUM FOUNDATION DEPENDS ON LOCAL SOIL CONDITIONS, WEATHER & ENG. REQ'TS



CONFIDENTIAL & PROPRIETARY

The drawing on this print and the information therewith are property of SlowStop Guarding Systems, LLC, and shall not be used or discussed in whole or in part without the consent of SlowStop Guarding Systems, LLC.

4955 STOUT DR. · SAN ANTONIO, TX 78219 · (800) 736-5256

SIZE
A

PART NO.
SS4Y-42-HC

DWG.
SLOWSTOP HANDICAP PARKING
BOLLARD SIGN POST

REV
1.0

SCALE

SLOWSTOP GUARDING SYSTEMS, LLC

DATE 31-MAY-2017