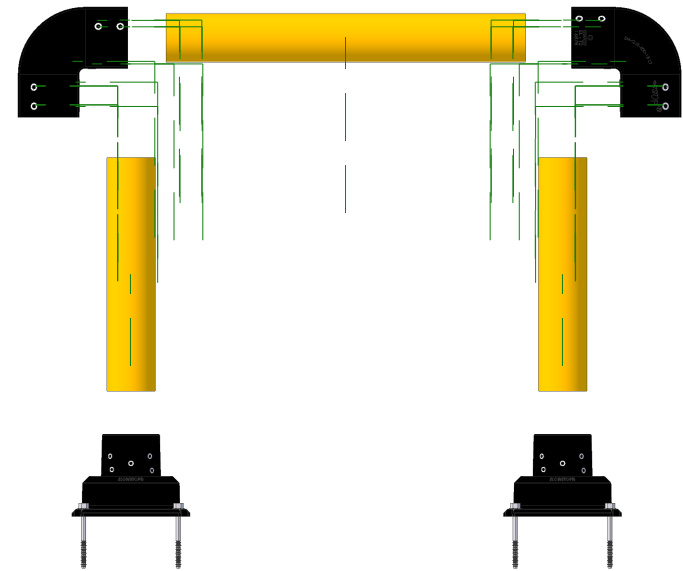


GALVANIZED +  
POWDER COAT  
RAL 1023  
SAFETY YELLOW

RAL 9005 BLACK  
KTL COATING  
C5I CORROSION  
RESISTANCE



\* MINIMUM FOUNDATION DEPENDS ON LOCAL  
SOIL CONDITIONS, WEATHER & ENG. REQ'TS



**CONFIDENTIAL & PROPRIETARY**

The drawing on this print and the information therewith are property of SlowStop Guarding Systems, LLC, and shall not be used or discussed in whole or in part without the consent of SlowStop Guarding Systems, LLC.

4955 STOUT DR. · SAN ANTONIO, TX 78219 · (800) 736-5256

SIZE  
**A**

PART NO.  
SS4Y-28-HS-36

DWG.  
IRONFLEX 4" HORSESHOE BOLLARD

REV  
**1.0**

SCALE  
1 / 16

SLOWSTOP GUARDING SYSTEMS, LLC

DATE  
02-JUN-2017