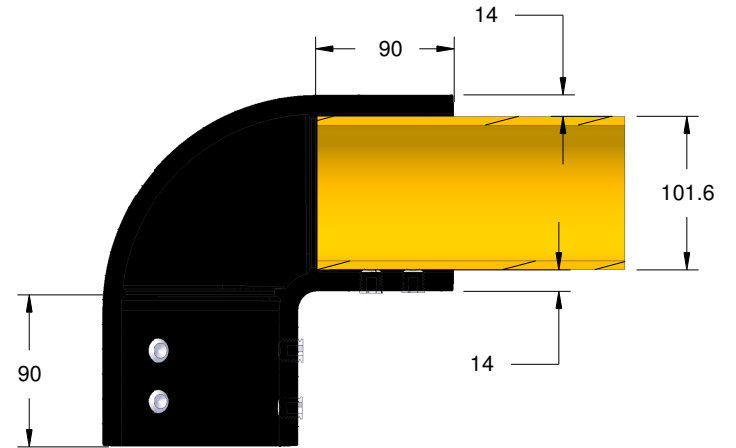
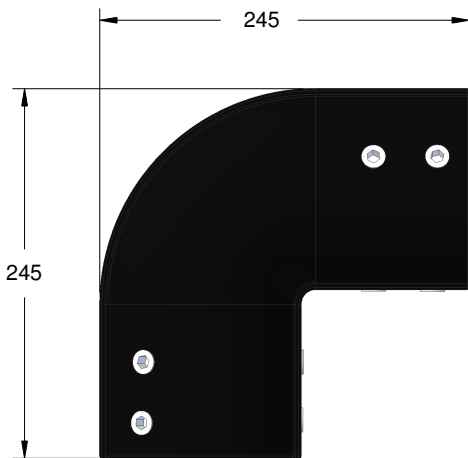
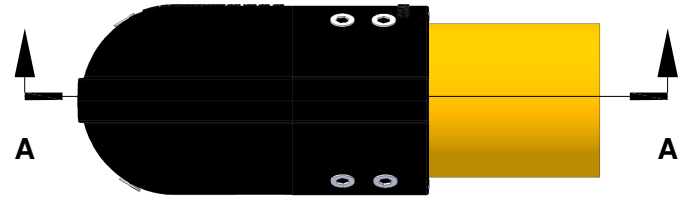


PIPE SHOWN FOR REFERENCE



Section A-A



**CONFIDENTIAL & PROPRIETARY**

The drawing on this print and the information therewith are property of SlowStop Guarding Systems, LLC, and shall not be used or discussed in whole or in part without the consent of SlowStop Guarding Systems, LLC.

4955 STOUT DR. · SAN ANTONIO, TX 78219 · (800) 736-5256

SIZE  
**A**

PART NO.  
**SS-T2-ELBOW**

DWG.  
**IRONFLEX TYPE 2 ELBOW CONNECTOR**

REV  
**1.0**

SCALE

SLOWSTOP GUARDING SYSTEMS, LLC

DATE 14-AUG-2017