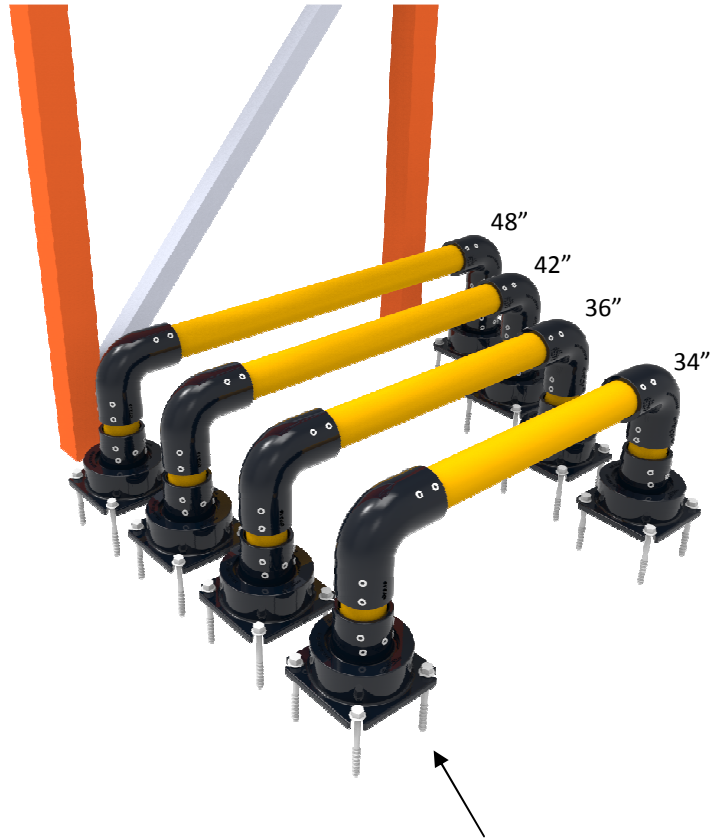




# SlowStop® Rebounding Rack End Guard—3” (SS3Y-12-HS-xxx)

90° IMPACT PROTECTION

MASS (LBS)	SPEED (MPH)
1,000	8.5
3,000	4.9
5,000	3.8
10,000	2.7



Installs with eight (8) Concrete Anchor Screws

Color: RAL 1023 Yellow Bollard on RAL 9005 Black Base

Diameter: 3” (2.5” Schedule 40 Steel)

Height: 12” to Centerline (13.5” Overall)

Width: 34” SS3Y-12-HS-31  
 36” SS3Y-12-HS-33  
 42” SS3Y-12-HS-39  
 48” SS3Y-12-HS-45

Max Tilt: 3”

**SPECIFICATIONS**

- Energy Absorption: 3,240 joules / 2,390 ft-lbs.
- Temperature Rating: -40°
- Pipe Coating: Galvanized + Polyester Powder Coat
- Base Coating: Environmentally Friendly Water-Based KTL Coating + Polyester Powder Coat

**RECOMMENDED USES**

- Pallet and Storage Rack Ends
- Standard Fork Lifts and Heavy Pallet Jacks
- Concrete Floors
- Warehouses and Manufacturing Facilities



4955 Stout Dr. • San Antonio, TX 78219  
 210-736-4477 • 800-736-5256 • Fax 210-734-6448  
 Email: [info@impactrecovery.com](mailto:info@impactrecovery.com)  
[www.slowstop.com](http://www.slowstop.com)

