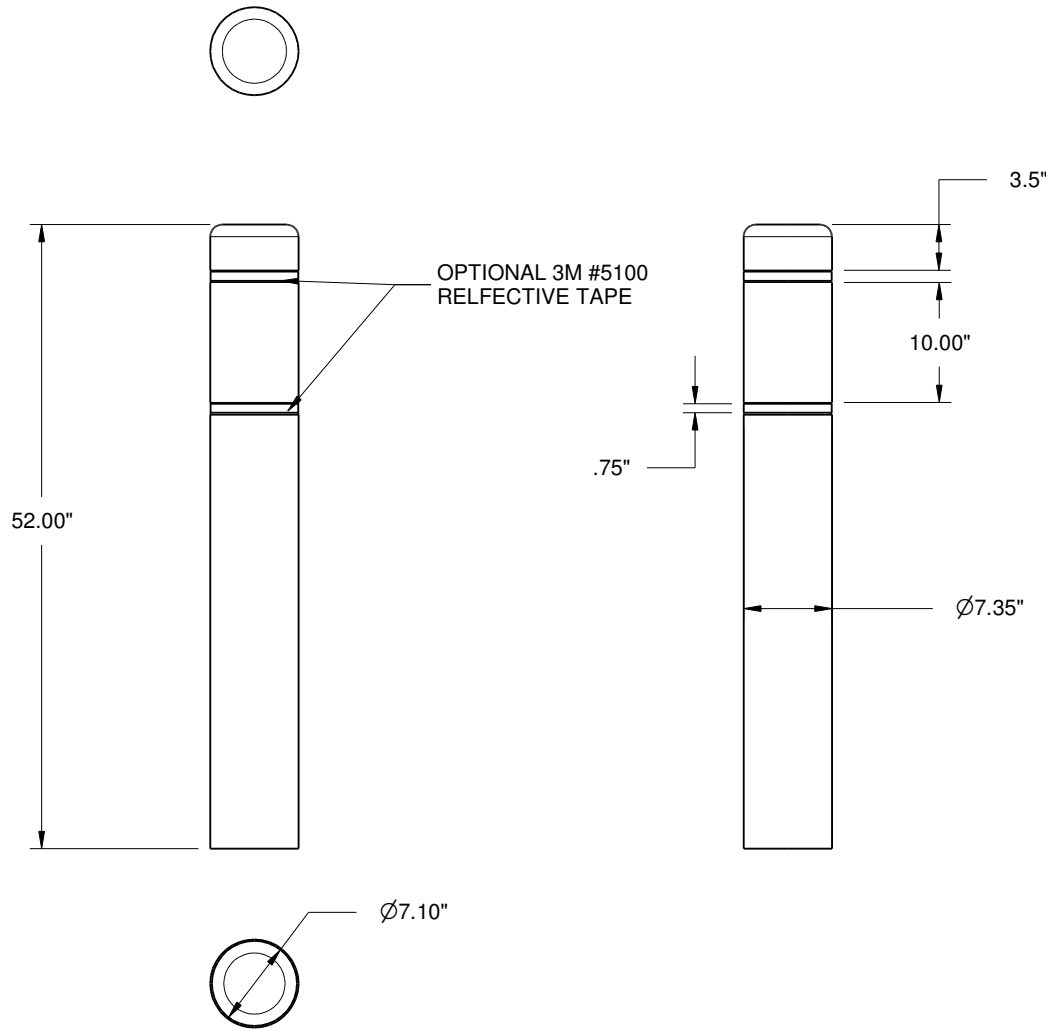


MATERIAL: POLYETHYLENE



COLOR CODES:

Y - YELLOW
 R - RED
 W - WHITE
 L - BLUE
 B - BLACK
 O - ORANGE
 N - BROWN
 T - TAN
 X - GREY
 Z - LT. GREY
 G - GREEN
 H - BRIGHT GREEN
 F - FEDERAL YELLOW

REFLECTIVE MATERIAL:

NONE
 RED
 WHITE
 BLUE
 ORANGE
 GREEN
 BLACK (REFLECTS WHITE)

IMPACTrecovery
SYSTEMS
 "Performance for a Safer Tomorrow"

CONFIDENTIAL & PROPRIETARY

The drawing on this print and the information therewith are property of Impact Recovery Systems, Inc., and shall not be used or discussed in whole or in part without the consent of Impact Recovery Systems, Inc.

4955 STOUT DR. · SAN ANTONIO, TX 78219 · (800) 736-5256

SIZE

A

PART NO.

SS6_-COVER

DWG.

SLOWSTOP 6" BOLLARD COVER

REV

2.0

SCALE

1/16

IMPACT RECOVERY SYSTEMS, INC.

DATE 03-NOV-2015