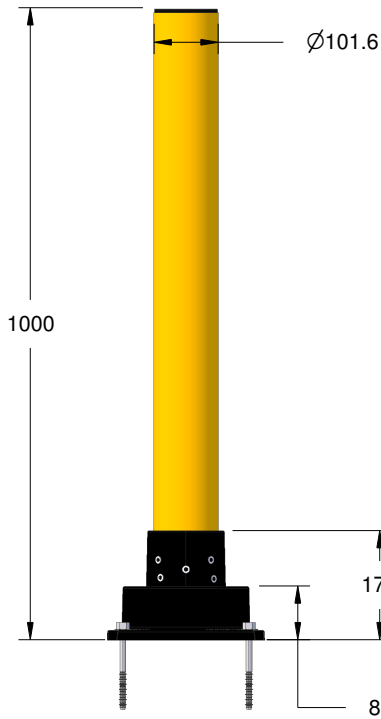


250

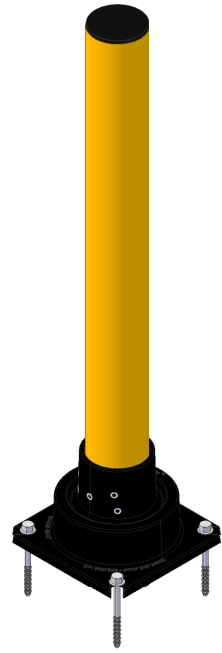


Ø101.6

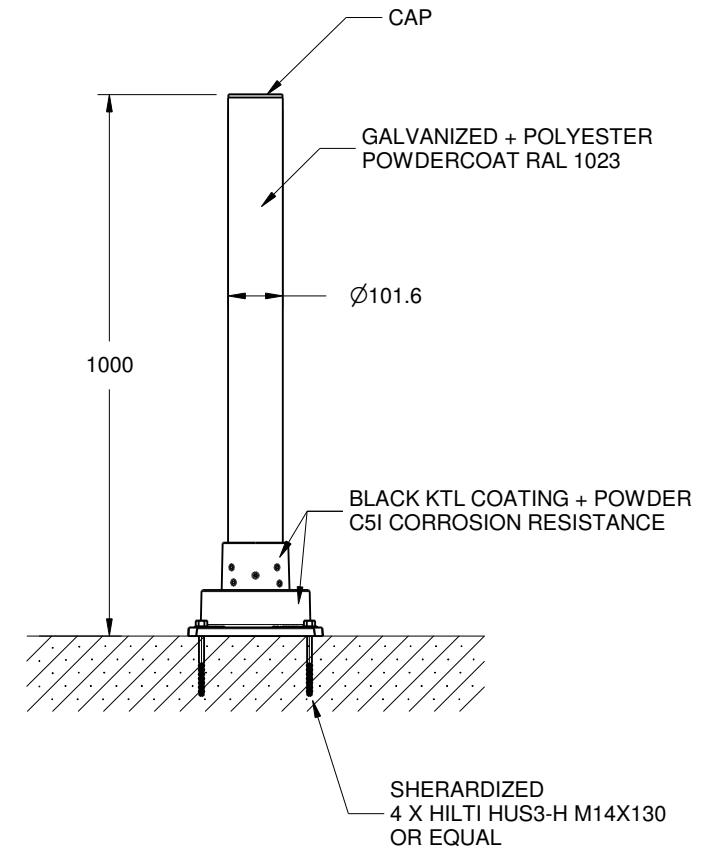
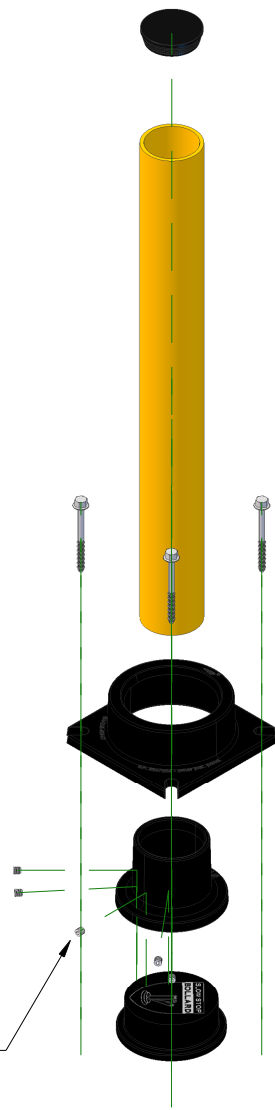
1000

173

85



5 X M16-2MM  
CUPPED SET SCREWS



\* MINIMUM FOUNDATION DEPENDS ON LOCAL SOIL CONDITIONS, WEATHER, & ENG REQ'TS



**IMPACTrecovery**  
**SYSTEMS**  
"Performance for a Safer Tomorrow"

CONFIDENTIAL & PROPRIETARY

The drawing on this print and the information therewith are property of Impact Recovery Systems, Inc., and shall not be used or discussed in whole or in part without the consent of Impact Recovery Systems, Inc.

4955 STOUT DR. · SAN ANTONIO, TX 78219 · (800) 736-5256

SIZE <b>A</b>	PART NO. SS-T2Y-100	DWG. SLOWSTOP BOLLARD - TYPE 2 X 100CM	REV 1.1
SCALE	IMPACT RECOVERY SYSTEMS, INC.		DATE 22-JUN-2016