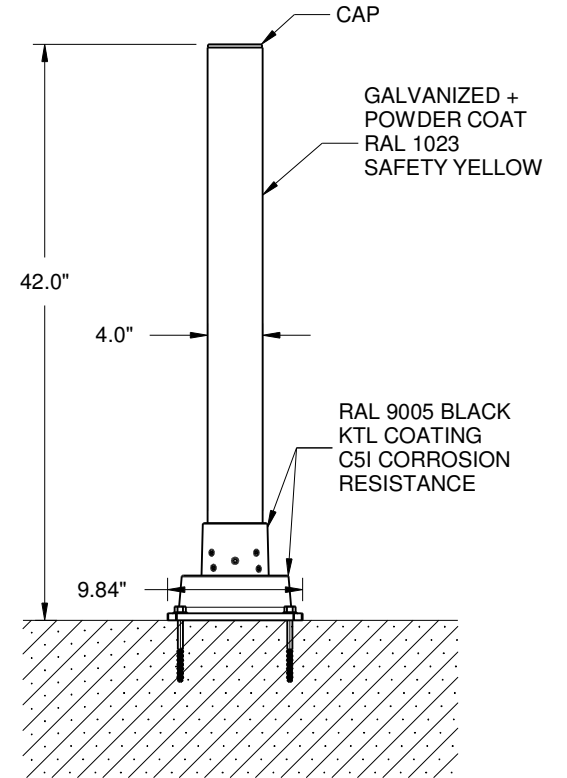


**SLOW STOP
BOLLARD**



* MINIMUM FOUNDATION DEPENDS ON LOCAL SOIL CONDITIONS, WEATHER & ENG. REQ'TS

**IMPACTrecovery
SYSTEMS**
"Performance for a Safer Tomorrow"

CONFIDENTIAL & PROPRIETARY

The drawing on this print and the information therewith are property of Impact Recovery Systems, Inc., and shall not be used or discussed in whole or in part without the consent of Impact Recovery Systems, Inc.

4955 STOUT DR. · SAN ANTONIO, TX 78219 · (800) 736-5256

SIZE
A

PART NO.
SS4Y-42

DWG.
SLOWSTOP BOLLARD - Ø4" X 42"

REV
D

SCALE

IMPACT RECOVERY SYSTEMS, INC.

DATE 16-JUN-2016